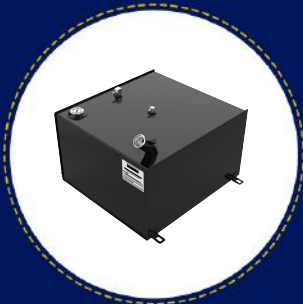




# FUEL TANK PRODUCT LISTING

ENGINEERED  
QUALITY PRODUCTS  
SINCE 1916



**Standard Fuel Tanks**



**Custom Fuel Tanks**



**Accessories**



# Index

	Page
Fuel Tanks Overview	01
Direct Fill Tanks - Gas	03
Direct Fill Tanks - Diesel	05
Remote Fill Tanks - Gas	07
Remote Fill Tanks - Diesel	09
Frame Mounted Tanks - Gas	11
Frame Mounted Tanks - Diesel	13
Transfer Tanks - Gas	15
Transfer Tanks - Diesel	17
Accessories	19

# Setting The Standard for Your Product Requirements

## Since 1916

Standard Technologies is an industry-leading manufacturer of aftermarket and OEM fuel tanks and fuel system components. From common tank sizes to highly advanced and customized designs, our skilled engineering team can provide you with full-service technical support and expertise.

We manufacture fuel tanks from a wide variety of materials and components, always striving to achieve maximum efficiency, durability, and service life, while balancing efforts to reduce costs. By making continuous investments in our facilities, equipment, employee training, and quality certifications, Standard Technologies has become the preferred partner for OEMs across North America.

Our fuel tanks and systems can be found throughout a wide spectrum of applications, including:

- Agriculture equipment
- Auxiliary fuel tanks
- Heavy duty construction equipment
- Horse trailer living quarter conversions
- Landscape trailer
- Lavatory trailers
- Marine fuel tanks
- Mobile generators
- Off-road construction equipment
- Refueling stations
- RV and motor coach fuel tanks
- Standby generators
- Transfer tank
- Utility trailers



# Fuel System Components

To streamline the supply chain and provide a turnkey solution to customers' fuel system needs, Standard Technologies has developed strong partnerships with the most respected automotive component manufacturers in the world. By identifying opportunities to drive efficiency and cost benefits, we can better serve our customers with high-quality, reliable products.

Our add-on fuel system components include:

**Electronic control and timer panels**

**EVAP carbon canisters**

**Fuel fill necks and bezels**

**Fuel hoses and clamps**

**Fuel level sending units and fuel gauges**

**Fuel transfer pumps and nozzles**

**Draw tubes and hose barbs**

**Roll over valves and vents**



## Research and Testing

Standard Technologies utilizes in-house and independently certified test labs to ensure that your fuel tank and system meet or exceed the requirements set forth by numerous government agencies. Through continuous research and testing, we ensure that our products adhere to current industry codes and standards. We have established excellent working relationships with these agencies over the years, giving us full understanding of their construction and certification requirements.

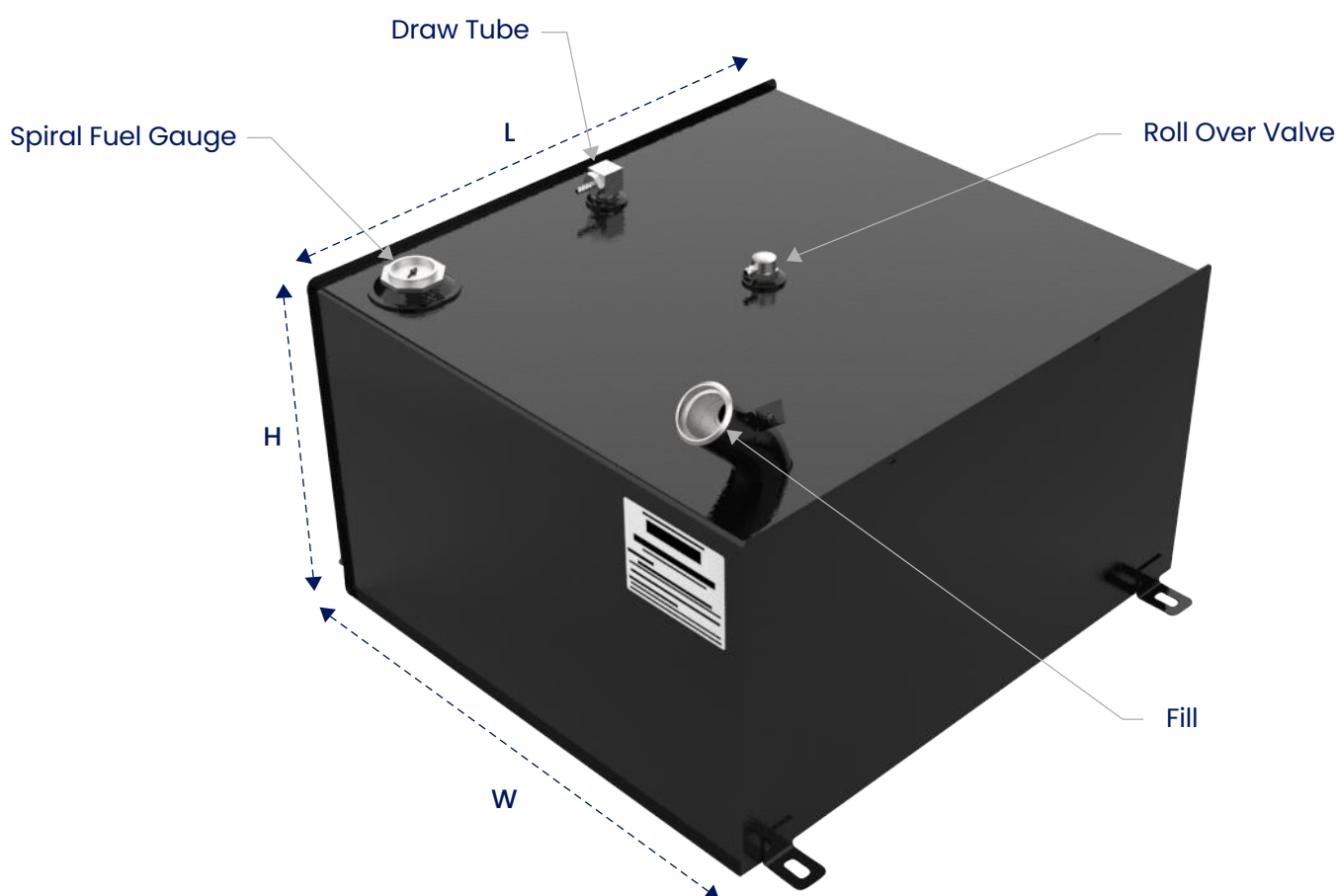
As environmental restrictions on evaporative emissions continue expanding, the manufacturing costs for ultra-low evaporative emission plastic tanks subsequently increase. Conversely, steel remains an attractive material choice to achieve fuel tank emission targets at an affordable cost. Steel's inherent impermeability is ideal for limiting evaporative emissions and, in fact, it is now the preferred material for adherence to EPA Clean Air Act requirements. These advantages, along with increased safety, durability, and design flexibility, give steel tanks a distinct advantage over other materials.

Standard Technologies has current certifications meeting the regulations required by these governing agencies: DOT, EPA, FHWA, FMSCA, NFPA, and PHMSA.



To learn more about our fuel tanks and systems, contact us today.

# Direct Fill Tanks – Gas



Note: Add approximately 5" to the height for the universal fill and add 2" to the width of the tank for the mounting brackets

## \*EPA Certified

All -GGS and -GCS versions are 49 state compliant (excludes California).  
All -G, and -GRS versions of this tank are eligible for sale in all 50 states.

Description	Tank Dimensions (LxWxH)	Each tank can be ordered with or without system components. Reference the system descriptions below and order using the appropriate part number. For custom requirements- please call.			
		Tank Only	Gas Generator Fuel System	Gas Refueling System	Gas Generator/Refueling Combo System
8 Gallon Direct Fill Tank - Gas	10" x 13" x 15"	ST-D0008-G	ST-D0008-GGS*	ST-D0008-GRS	ST-D0008-GCS*
14 Gallon Direct Fill Tank - Gas	22" x 10" x 15"	ST-D0014-G	ST-D0014-GGS*	ST-D0014-GRS	ST-D0014-GCS*
20 Gallon Direct Fill Tank - Gas	16" x 20" x 15"	ST-D0020-G	ST-D0020-GGS*	ST-D0020-GRS	ST-D0020-GCS*
30 Gallon Direct Fill Tank - Gas	24" x 20" x 15"	ST-D0030-G	ST-D0030-GGS*	ST-D0030-GRS	ST-D0030-GCS*
40 Gallon Direct Fill Tank - Gas	26" x 24" x 15"	ST-D0040-G	ST-D0040-GGS*	ST-D0040-GRS	ST-D0040-GCS*
50 Gallon Direct Fill Tank - Gas	34" x 24" x 15"	ST-D0050-G	N/A	ST-D0050-GRS	N/A

See page 04 for included components.

## Direct Fill Tanks – Gas Included Components:

### Tank Only Includes:

- (1) Fuel Tank – Aluminized Steel, 12 Gauge
- (1) Vented Fuel Cap – Tethered
- (1) Spiral Fuel Gauge
- (1) Draw Tube w/ 1/4" Hose Barb
- (1) Roll Over Valve

### Gas Generator/Refueling Combo System Includes:

- (1) Fuel Tank – Aluminized Steel, 12 Gauge
- (1) Vented Gas Cap – Tethered
- (1) Spiral Fuel Gauge
- (1) Draw Tube w/ 1/2" Anti-Siphon Hose Barb
- (1) Draw Tube w/ 1/4" Hose Barb
- (1) Roll Over Valve
- (1) Carbon Cansiter w/ mounting bracket
- (20 ft.) 1/4" Fuel Hose CARB LEVII / Clamps
- (4 ft.) 1/4" Fuel Hose CARB LEVII / Clamps
- (20 ft.) 5/16" Fuel Hose CARB LEVII / Clamps
- (1 ft.) 5/8" Vent Hose / Clamp
- (1) 12V 8 GPM Transfer Pump
- (4 ft.) 1/2" Fuel Hose / Clamps
- (1) 3/4" x 5.67" UL Hose Assembly
- (1) 3/4" Manual UL Nozzle
- (8 ft.) Power Cord
- Tank Mounting Hardware – Grade 8

### Gas Generator Fuel System Includes:

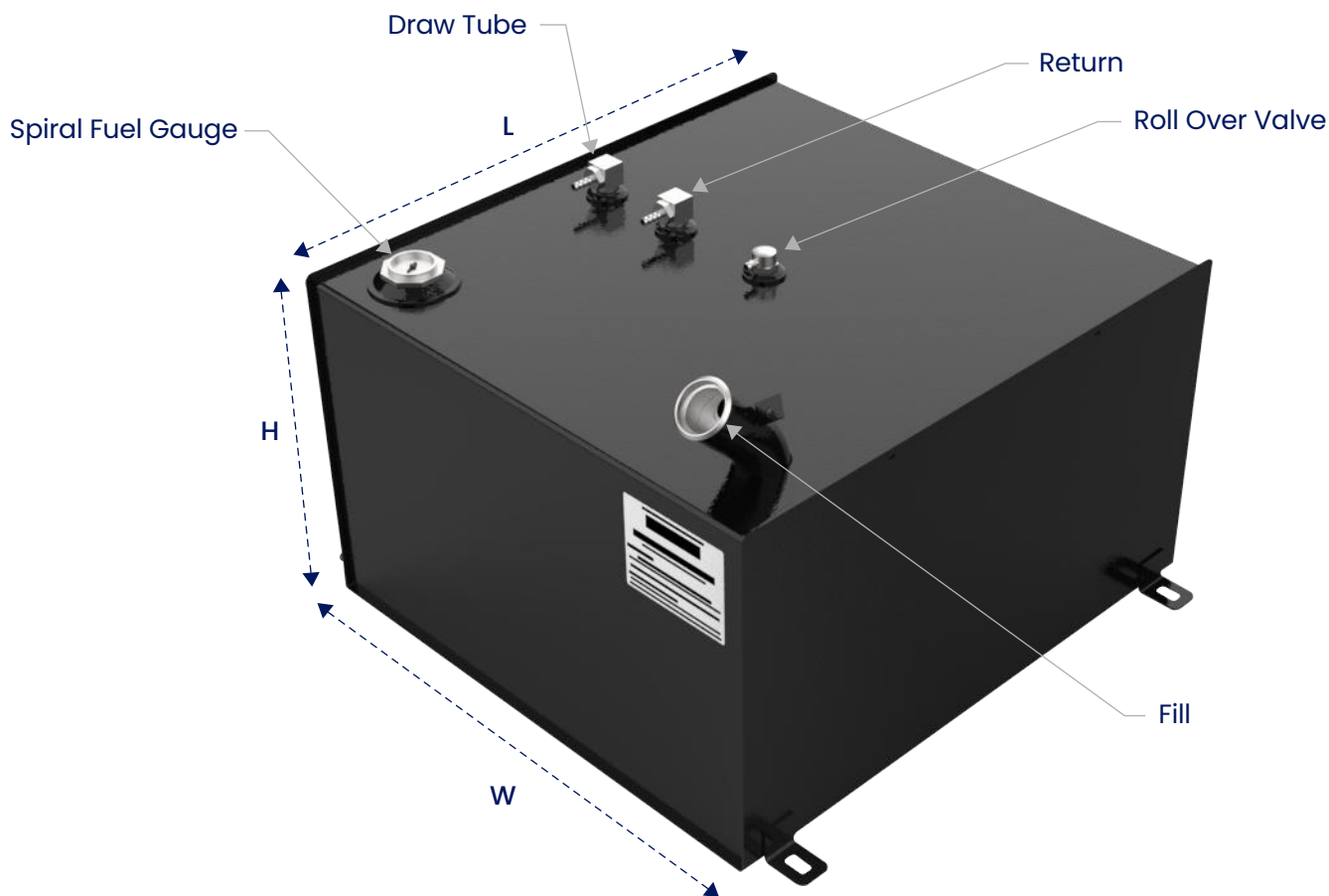
- (1) Fuel Tank – Aluminized Steel, 12 Gauge
- (1) Vented Fuel Cap – Tethered
- (1) Spiral Fuel Gauge
- (1) Draw Tube w/ 1/4" Hose Barb
- (1) Roll Over Valve
- (1) Carbon Cansiter w/ mounting bracket
- (20 ft.) 1/4" Fuel Hose CARB LEVII / Clamps
- (4 ft.) 1/4" Fuel Hose CARB LEVII / Clamps
- (20 ft.) 5/16" Fuel Hose CARB LEVII / Clamps
- (1 ft.) 5/8" Vent Hose / Clamp
- Tank Mounting Hardware – Grade 8

### Gas Refueling System Includes:

- (1) Fuel Tank – Aluminized Steel, 12 Gauge
- (1) Vented Fuel Cap – Tethered
- (1) Spiral Fuel Gauge
- (1) Draw Tube w/ 1/2" Anti-Siphon Hose Barb
- (1) Roll Over Valve
- (1) 12V 8 GPM Transfer Pump
- (4 ft.) 1/2" Fuel Hose / Clamps
- (4 ft.) 1/4" Fuel Hose CARB LEVII / Clamp
- (1) 3/4" x 5.67" UL Hose Assembly
- (1) 3/4" Manual UL Nozzle
- (8 ft.) Power Cord
- Tank Mounting Hardware – Grade 8



# Direct Fill Tanks – Diesel



**Note:** Add approximately 5" to the height for the universal fill and add 2" to the width of the tank for the mounting brackets.

**All versions of this fuel tank are eligible for sale in all 50 states.  
No certification restrictions apply.**

Description	Tank Dimensions (LxWxH)	Each tank can be ordered with or without system components. Reference the system descriptions below and order using the appropriate part number. For custom requirements- please call.			
		Tank Only	Diesel Generator Fuel System	Diesel Refueling System	Diesel Generator/ Refueling Combo System
8 Gallon Direct Fill Tank - Diesel	10" x 13" x 15"	ST-D0008-D	ST-D0008-DGS	ST-D0008-DRS	ST-D0008-DCS
14 Gallon Direct Fill Tank - Diesel	22" x 10" x 15"	ST-D0014-D	ST-D0014-DGS	ST-D0014-DRS	ST-D0014-DCS
20 Gallon Direct Fill Tank - Diesel	16" x 20" x 15"	ST-D0020-D	ST-D0020-DGS	ST-D0020-DRS	ST-D0020-DCS
30 Gallon Direct Fill Tank - Diesel	24" x 20" x 15"	ST-D0030-D	ST-D0030-DGS	ST-D0030-DRS	ST-D0030-DCS
40 Gallon Direct Fill Tank - Diesel	26" x 24" x 15"	ST-D0040-D	ST-D0040-DGS	ST-D0040-DRS	ST-D0040-DCS
50 Gallon Direct Fill Tank - Diesel	34" x 24" x 15"	ST-D0050-D	ST-D0050-DGS	ST-D0050-DRS	ST-D0050-DCS

See page 06 for included components.

## Direct Fill Tanks – Diesel Included Components:

### Tank Only Includes:

- (1) Fuel Tank – Aluminized Steel, 12 Gauge
- (1) Vented Fuel Cap – Tethered
- (1) Spiral Fuel Gauge
- (1) Draw Tube w/ 5/16" Hose Barb
- (1) Return Fitting w/ 5/16" Hose Barb
- (1) Roll Over Valve

### Diesel Generator Fuel System Includes:

- (1) Fuel Tank – Aluminized Steel, 12 Gauge
- (1) Vented Fuel Cap – Teathered
- (1) Spiral Fuel Gauge
- (1) Draw Tube with 5/16" Hose Barb
- (1) Return Fitting with 5/16" Hose Barb
- (1) Roll Over Valve
- (40 ft.) 5/16" Fuel Hose CARB LEVII / Clamps
- (4 ft.) 1/4" Fuel Hose CARB LEVII / Clamps
- Tank Mounting Hardware – Grade 8

### Diesel Generator/Refueling Combo System Includes:

- (1) Fuel Tank – Aluminized Steel, 12 Gauge
- (1) Vented Fuel Cap – Tethered
- (1) Spiral Fuel Gauge
- (1) Draw Tube with 1/2" Anti-Siphon Hose Barb
- (1) Draw Tube with 5/16" Hose Barb
- (1) Return Fitting with 5/16" Hose Barb
- (1) Roll Over Valve
- (40 ft.) 5/16" Fuel Hose CARB LEVII / Clamps
- (4 ft.) 1/4" Fuel Hose CARB LEVII / Clamps
- (1) 12V 8 GPM Transfer Pump
- (4 ft.) 1/2" Fuel Hose / Clamps
- (1) 3/4" x 5.67" UL Hose Assembly
- (1) 3/4" Manual UL Nozzle
- (8 ft.) Power Cord
- Tank Mounting Hardware – Grade 8

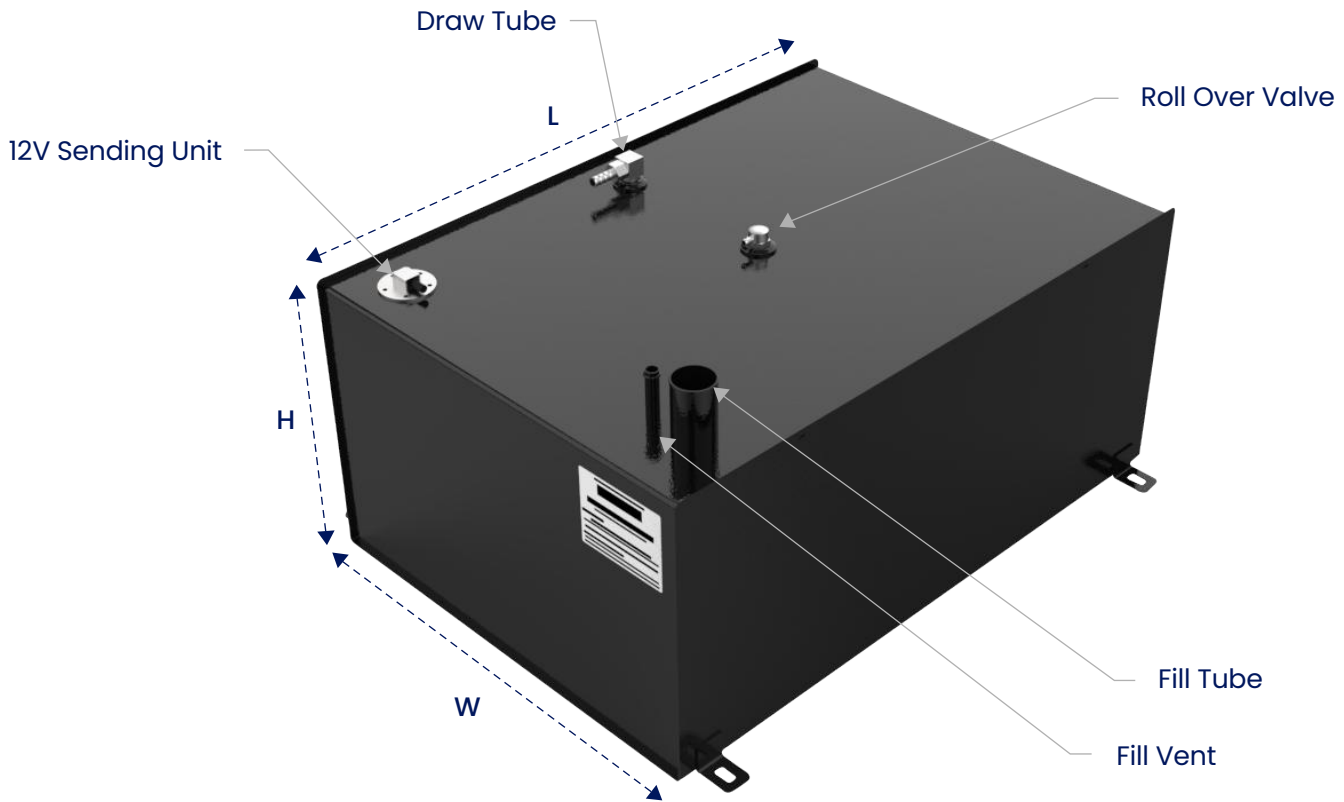
### Diesel Refueling System Includes:

- (1) Fuel Tank – Aluminized Steel, 12 Gauge
- (1) Vented Fuel Cap – Tethered
- (1) Spiral Fuel Gauge
- (1) Draw Tube w/ 1/2" Anti-Siphon Hose Barb
- (1) Roll Over Valve
- (1) 12V 8 GPM Transfer Pump
- (4 ft.) 1/2" Fuel Hose / Clamps
- (4 ft.) 1/4" Fuel Hose CARB LEVII / Clamp
- (1) 3/4" x 5.67" UL Hose Assembly
- (1) 3/4" Manual UL Nozzle
- (8 ft.) Power Cord
- Tank Mounting Hardware – Grade 8





# Remote Fill Tanks - Gas



Note: Add approximately 5" to the height for the universal fill and add 2" to the width of the tank for the mounting brackets

### \*EPA Certified

All -GGS and -GCS versions are 49 state compliant (excludes California).  
All -G, and -GRS versions of this tank are eligible for sale in all 50 states.

Description	Tank Dimensions (LxWxH)	Each tank can be ordered with or without system components. Reference the system descriptions below and order using the appropriate part number. For custom requirements- please call.			
		Tank Only	Gas Generator Fuel System	Gas Refueling System	Gas Generator/Refueling Combo System
8 Gallon Remote Fill Tank - Gas	10" x 13.5" x 15"	ST-R1008-G	ST-R1008-GGS*	ST-R1008-GRS	ST-R1008-GCS*
14 Gallon Remote Fill Tank - Gas	22" x 10" x 15"	ST-R1014-G	ST-R1014-GGS*	ST-R1014-GRS	ST-R1014-GCS*
14 Gallon Remote Fill Triangle Tank - Gas	15" x 13.5" x 36"	ST-R1014T-G	ST-R1014T-GGS*	ST-R1014T-GRS	ST-R1014T-GCS*
20 Gallon Remote Fill Tank - Gas	16" x 20" x 15"	ST-R1020-G	ST-R1020-GGS*	ST-R1020-GRS	ST-R1020-GCS*
20 Gallon Remote Fill Manger Tank - Gas	27" x 7" x 24"	ST-R1020M-G	ST-R1020M-GGS*	ST-R1020M-GRS	ST-R1020M-GCS*
30 Gallon Remote Fill Tank - Gas	24" x 20" x 15"	ST-R1030-G	ST-R1030-GGS*	ST-R1030-GRS	ST-R1030-GCS*
40 Gallon Remote Fill Tank - Gas	26" x 24" x 15"	ST-R1040-G	ST-R1040-GGS*	ST-R1040-GRS	ST-R1040-GCS*
50 Gallon Remote Fill Tank - Gas	34" x 24" x 15"	ST-R1050-G	N/A	ST-R1050-GRS	N/A

See page 08 for included components.

## Remote Fill Tanks – Gas Included Components:

### Tank Only Includes:

- (1) Fuel Tank – Aluminized Steel, 12 Gauge
- (1) 12V Sending Unit
- (1) Draw Tube w/ 1/4" Hose Barb
- (1) 5/8" Tank Vent
- (1) Roll Over Valve

### Gas Generator/Refueling Combo System Includes:

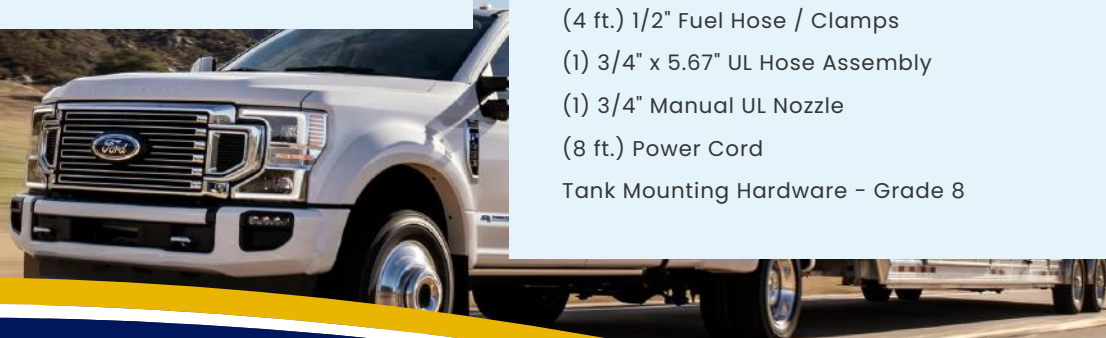
- (1) Fuel Tank – Aluminized Steel, 12 Gauge
- (1) Draw tube w/ 1/4" Hose Barb
- (1) Draw Tube w/ 1/2" Anti-Siphon Hose Barb
- (1) Roll Over Valve
- (1) 12V Sending Unit
- (1) 5/8" Tank Vent
- (1) Fillneck
- (1) Vented Fuel Cap – Tethered
- (1) Zinc Plated Bezel
- (1) Carbon Canister w/ Mounting Bracket
- (20 ft.) 1/4" Fuel Hose CARB LEVII / Clamps
- (4 ft.) 1/4" Fuel Hose CARB LEVII / Clamps
- (20 ft.) 5/16" Fuel Hose CARB LEVII / Clamps
- (3 ft) 5/8" Vent Hose / Clamps
- (2 ft) 2" Fuel Fill Hose / Clamps
- (1) 12V 8 GPM Transfer Pump
- (4 ft.) 1/2" Fuel Hose / Clamps
- (1) 3/4" x 5.67" UL Hose Assembly
- (1) 3/4" Manual UL Nozzle
- (8 ft.) Power Cord
- Tank Mounting Hardware – Grade 8

### Gas Generator Fuel System Includes:

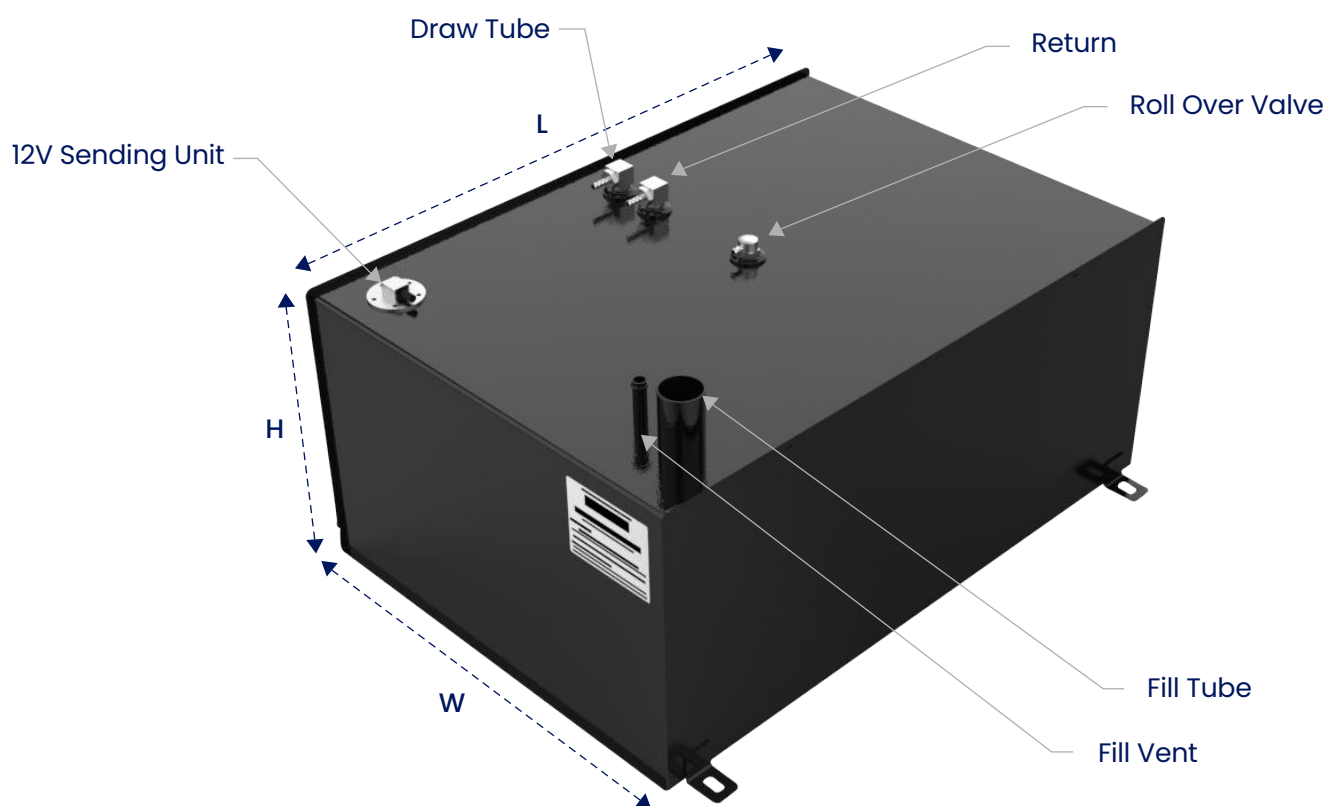
- (1) Fuel Tank – Aluminized Steel, 12 Gauge
- (1) Draw tube w/ 1/4" Hose Barb
- (1) Roll Over Valve
- (1) 12V Sending Unit
- (1) 5/8" Tank Vent
- (1) Fillneck
- (1) Vented Fuel Cap – Tethered
- (1) Zinc Plated Bezel
- (1) Carbon Canister w/ Mounting Bracket
- (20 ft) 1/4" Fuel Hose CARB LEVII / Clamps
- (20 ft) 5/16" Fuel Hose CARB LEVII / Clamps
- (4 ft.) 1/4" Fuel Hose CARB LEVII / Clamps
- (3 ft) 5/8" Vent Hose / Clamps
- (2 ft) 2" Fuel Fill Hose / Clamps
- Tank Mounting Hardware – Grade 8

### Gas Refueling System Includes:

- (1) Fuel Tank – Aluminized Steel, 12 Gauge
- (1) Draw Tube w/ 1/2" Anti-Siphon Hose Barb
- (1) Roll Over Valve
- (1) 12V Sending Unit
- (1) 5/8" Tank Vent
- (1) Fillneck
- (1) Vented Fuel Cap – Tethered
- (1) Zinc Plated Bezel
- (4 ft.) 1/4" Fuel Hose CARB LEVII / Clamp
- (2 ft) 5/8" Vent Hose / Clamps
- (2 ft) 2" Fuel Fill Hose / Clamps
- (1) 12V 8GPM Transfer Pump
- (4 ft.) 1/2" Fuel Hose / Clamps
- (1) 3/4" x 5.67" UL Hose Assembly
- (1) 3/4" Manual UL Nozzle
- (8 ft.) Power Cord
- Tank Mounting Hardware – Grade 8



# Remote Fill Tanks – Diesel



**Note: Add approximately 5" to the height for the universal fill and add 2" to the width of the tank for the mounting brackets.**

**All versions of this fuel tank are eligible for sale in all 50 states.  
No certification restrictions apply.**

Description	Tank Dimensions (LxWxH)	Each tank can be ordered with or without system components. Reference the system descriptions below and order using the appropriate part number. For custom requirements- please call.			
		Tank Only	Diesel Generator Fuel System	Diesel Refueling System	Diesel Generator/ Refueling Combo System
8 Gallon Remote Fill Tank - Diesel	10" x 13.5" x 15"	ST-R1008-D	ST-R1008-DGS	ST-R1008-DRS	ST-R1008-DCS
14 Gallon Remote Fill Tank - Diesel	22" x 10" x 15"	ST-R1014-D	ST-R1014-DGS	ST-R1014-DRS	ST-R1014-DCS
14 Gallon Remote Fill Triangle Tank - Diesel	15" x 13.5" x 36"	ST-R1014T-D	ST-R1014T-DGS	ST-R1014T-DRS	ST-R1014T-DCS
20 Gallon Remote Fill Tank - Diesel	16" x 20" x 15"	ST-R1020-D	ST-R1020-DGS	ST-R1020-DRS	ST-R1020-DCS
20 Gallon Remote Fill Manger Tank - Diesel	27" x 7" x 24"	ST-R1020M-D	ST-R1020M-DGS	ST-R1020M-DRS	ST-R1020M-DCS
30 Gallon Remote Fill Tank - Diesel	24" x 20" x 15"	ST-R1030-D	ST-R1030-DGS	ST-R1030-DRS	ST-R1030-DCS
40 Gallon Remote Fill Tank - Diesel	26" x 24" x 15"	ST-R1040-D	ST-R1040-DGS	ST-R1040-DRS	ST-R1040-DCS
50 Gallon Remote Fill Tank - Diesel	34" x 24" x 15"	ST-R1050-D	ST-R1050-DGS	ST-R1050-DRS	ST-R1050-DCS

See page 10 for included components.

## Remote Fill Tanks – Diesel Included Components:

### Tank Only Includes:

- (1) Fuel Tank – Aluminized Steel, 12 Gauge
- (1) 12V Sending Unit
- (1) Draw Tube w/ 5/16" Hose Barb
- (1) Return Fitting w/ 5/16" Hose Barb
- (1) 5/8" Tank Vent
- (1) Roll Over Valve

### Diesel Generator/Refueling Combo System Includes:

- (1) Fuel Tank – Aluminized Steel, 12 Gauge
- (1) Draw tube w/ 5/16" Hose Barb
- (1) Return Fitting w/ 5/16" Hose Barb
- (1) Draw Tube w/ 1/2" Anti-Siphon Hose Barb
- (1) Roll Over Valve
- (1) 12V Sending Unit
- (1) 5/8" Tank Vent
- (1) Fillneck
- (1) Vented Fuel Cap – Tethered
- (1) Zinc Plated Bezel
- (4 ft.) 1/4" Fuel Hose CARB LEVII / Clamps
- (40 ft.) 5/16" Fuel Hose CARB LEVII / Clamps
- (2 ft.) 5/8" Vent Hose / Clamp
- (2 ft) 2" Fuel Fill Hose / Clamps
- (1) 12V 8 GPM Transfer Pump
- (4 ft.) 1/2" Fuel Hose / Clamps
- (1) 3/4" x 5.67" UL Hose Assembly
- (1) 3/4" Manual UL Nozzle
- (8 ft.) Power Cord
- Tank Mounting Hardware – Grade 8

### Diesel Generator Fuel System Includes:

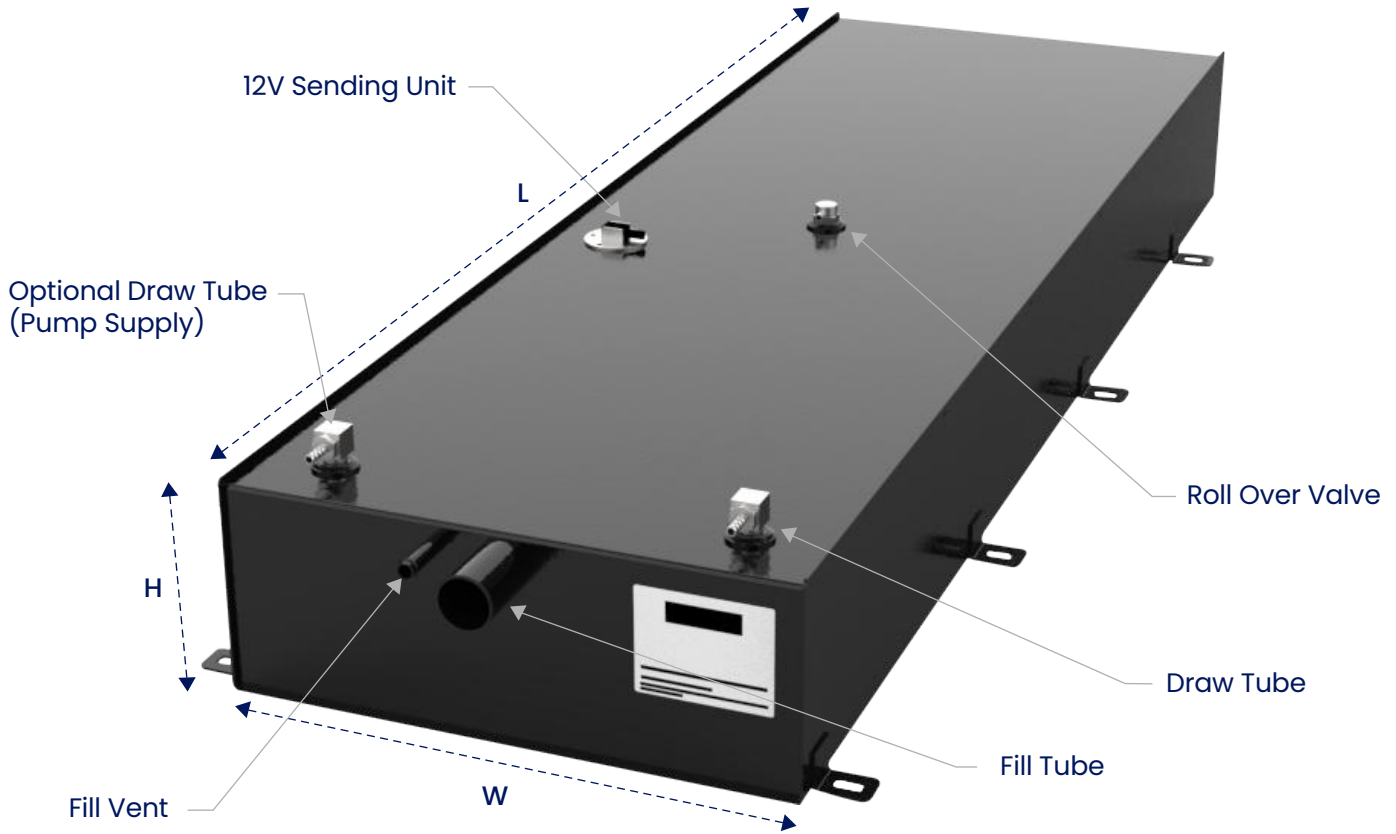
- (1) Fuel Tank – Aluminized Steel, 12 Gauge
- (1) Draw tube w/ 5/16" Hose Barb
- (1) Return Fitting w/ 5/16" Hose Barb
- (1) Roll Over Valve
- (1) 12V Sending Unit
- (1) 5/8" Tank Vent
- (1) Fillneck
- (1) Vented Fuel Cap – Tethered
- (1) Zinc Plated Bezel
- (40 ft) 5/16" Fuel Hose CARB LEVII / Clamps
- (4 ft.) 1/4" Fuel Hose CARB LEVII / Clamps
- (2 ft) 5/8" Vent Hose / Clamps
- (2 ft) 2" Fuel Fill Hose / Clamps
- Tank Mounting Hardware – Grade 8

### Diesel Refueling System Includes:

- (1) Fuel Tank – Aluminized Steel, 12 Gauge
- (1) Draw Tube w/ 1/2" Anti-Siphon Hose Barb
- (1) Roll Over Valve
- (1) 12V Sending Unit
- (1) 5/8" Tank Vent
- (1) Fillneck
- (1) Vented Fuel Cap – Tethered
- (1) Zinc Plated Bezel
- (4 ft.) 1/4" Fuel Hose CARB LEVII / Clamp
- (2 ft) 5/8" Vent Hose / Clamps
- (2 ft) 2" Fuel Fill Hose / Clamps
- (1) 12V 8 GPM Transfer Pump
- (4 ft.) 1/2" Fuel Hose / Clamps
- (1) 3/4" x 5.67" UL Hose Assembly
- (1) 3/4" Manual UL Nozzle
- (8 ft.) Power Cord
- Tank Mounting Hardware – Grade 8



# Frame Mounted Tanks - Gas



Note: Add approximately 5" to the height for the universal fill and add 2" to the width of the tank for the mounting brackets

### \*EPA Certified

All -GGS and -GCS versions are 49 state compliant (excludes California).  
All -G, and -GRS versions of this tank are eligible for sale in all 50 states.

Description	Tank Dimensions (LxWxH)	Each tank can be ordered with or without system components. Reference the system descriptions below and order using the appropriate part number. For custom requirements- please call.			
		Tank Only	Gas Generator Fuel System	Gas Refueling System	Gas Generator/Refueling Combo System
14 Gallon Frame Mounted Tank - Gas	28.25" x 17" x 7.125"	ST-F2014-G	ST-F2014-GGS*	ST-F2014-GRS	ST-F2014-GCS*
20 Gallon Frame Mounted Tank - Gas	62" x 11.5" x 7.125"	ST-F2020-G	ST-F2020-GGS*	ST-F2020-GRS	ST-F2020-GCS*
30 Gallon Frame Mounted Tank - Gas	60.5" x 17" x 7.125"	ST-F2030-G	ST-F2030-GGS*	ST-F2030-GRS	ST-F2030-GCS*
40 Gallon Frame Mounted Tank - Gas	60.5" x 22.5" x 7.125"	ST-F2040-G	ST-F2040-GGS*	ST-F2040-GRS	ST-F2040-GCS*
50 Gallon Frame Mounted Tank - Gas	66" x 21.5" x 8"	ST-F2050-G	N/A	ST-F2050-GRS	N/A

See page 12 for included components.

## Frame Mounted Tanks – Gas Included Components:

### Tank Only Includes:

- (1) Fuel Tank – Aluminized Steel, 12 Gauge
- (1) 12V Sending Unit
- (1) Draw Tube w/ 1/4" Hose Barb
- (1) 5/8" Tank Vent
- (1) Roll Over Valve

### Gas Generator/Refueling Combo System Includes:

- (1) Fuel Tank – Aluminized Steel, 12 Gauge
- (1) Draw tube w/ 1/4" Hose Barb
- (1) Draw Tube w/ 1/2" Anti-Siphon Hose Barb
- (1) Roll Over Valve
- (1) 12V Sending Unit
- (1) 5/8" Tank Vent
- (1) Fillneck
- (1) Vented Fuel Cap – Tethered
- (1) Zinc Plated Bezel
- (1) Carbon Canister w/ Mounting Bracket
- (20 ft.) 1/4" Fuel Hose CARB LEVII / Clamps
- (4 ft.) 1/4" Fuel Hose CARB LEVII / Clamps
- (20 ft.) 5/16" Fuel Hose CARB LEVII / Clamps
- (3 ft) 5/8" Vent Hose / Clamps
- (2 ft) 2" Fuel Fill Hose / Clamps
- (1) 12V 8 GPM Transfer Pump
- (4 ft.) 1/2" Fuel Hose / Clamps
- (1) 3/4" x 5.67" UL Hose Assembly
- (1) 3/4" Manual UL Nozzle
- (8 ft.) Power Cord
- Tank Mounting Hardware – Grade 8

### Gas Generator Fuel System Includes:

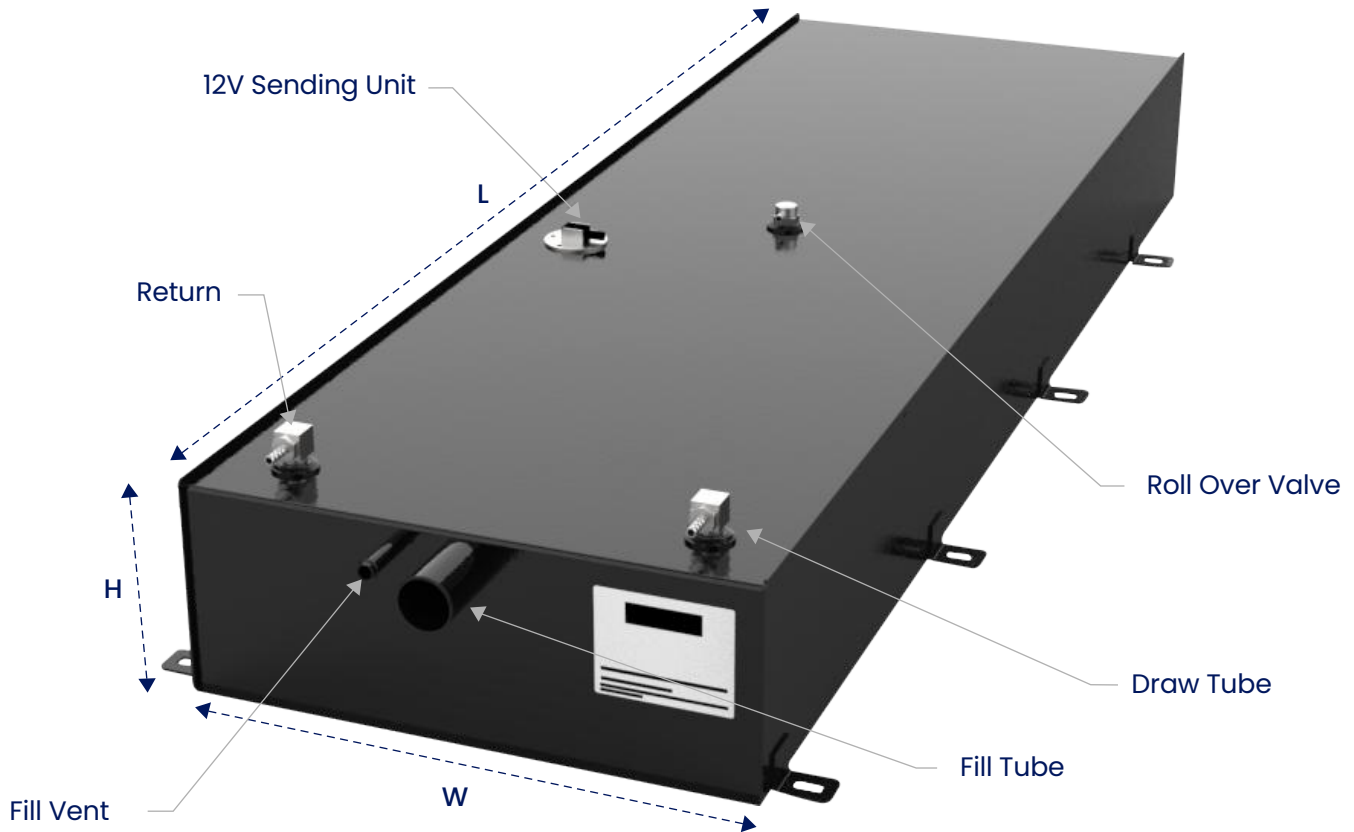
- (1) Fuel Tank – Aluminized Steel, 12 Gauge
- (1) Draw tube w/ 1/4" Hose Barb
- (1) Roll Over Valve
- (1) 12V Sending Unit
- (1) 5/8" Tank Vent
- (1) Fillneck
- (1) Vented Fuel Cap – Tethered
- (1) Zinc Plated Bezel
- (1) Carbon Canister w/ Mounting Bracket
- (20 ft) 1/4" Fuel Hose CARB LEVII / Clamps
- (20 ft) 5/16" Fuel Hose CARB LEVII / Clamps
- (4 ft.) 1/4" Fuel Hose CARB LEVII / Clamps
- (3 ft) 5/8" Vent Hose / Clamps
- (2 ft) 2" Fuel Fill Hose / Clamps
- Tank Mounting Hardware – Grade 8

### Gas Refueling System Includes:

- (1) Fuel Tank – Aluminized Steel, 12 Gauge
- (1) Draw Tube w/ 1/2" Anti-Siphon Hose Barb
- (1) Roll Over Valve
- (1) 12V Sending Unit
- (1) 5/8" Tank Vent
- (1) Fillneck
- (1) Vented Fuel Cap – Tethered
- (1) Zinc Plated Bezel
- (4 ft.) 1/4" Fuel Hose CARB LEVII / Clamp
- (2 ft) 5/8" Vent Hose / Clamps
- (2 ft) 2" Fuel Fill Hose / Clamps
- (1) 12V 8GPM Transfer Pump
- (4 ft.) 1/2" Fuel Hose / Clamps
- (1) 3/4" x 5.67" UL Hose Assembly
- (1) 3/4" Manual UL Nozzle
- (8 ft.) Power Cord
- Tank Mounting Hardware – Grade 8



# Frame Mounted Tanks – Diesel



Note: Add approximately 5" to the height for the universal fill and add 2" to the width of the tank for the mounting brackets.

**All versions of this fuel tank are eligible for sale in all 50 states.  
No certification restrictions apply.**

Description	Tank Dimensions (LxWxH)	Each tank can be ordered with or without system components. Reference the system descriptions below and order using the appropriate part number. For custom requirements- please call.			
		Tank Only	Diesel Generator Fuel System	Diesel Refueling System	Diesel Generator/ Refueling Combo System
14 Gallon Frame Mounted Tank - Diesel	28.25" x 17" x 7.125"	ST-F2014-D	ST-F2014-DGS	ST-F2014-DRS	ST-F2014-DCS
20 Gallon Frame Mounted Tank - Diesel	62" x 11.5" x 7.125"	ST-F2020-D	ST-F2020-DGS	ST-F2020-DRS	ST-F2020-DCS
30 Gallon Frame Mounted Tank - Diesel	60.5" x 17" x 7.125"	ST-F2030-D	ST-F2030-DGS	ST-F2030-DRS	ST-F2030-DCS
40 Gallon Frame Mounted Tank - Diesel	60.5" x 22.5" x 7.125"	ST-F2040-D	ST-F2040-DGS	ST-F2040-DRS	ST-F2040-DCS
50 Gallon Frame Mounted Tank - Diesel	66" x 21.5" x 8"	ST-F2050-D	ST-F2050-DGS	ST-F2050-DRS	ST-R2050-DCS

See page 14 for included components.

## Frame Mounted Tanks – Diesel Included Components:

### Tank Only Includes:

- (1) Fuel Tank – Aluminized Steel, 12 Gauge
- (1) 12V Sending Unit
- (1) Draw Tube w/ 5/16" Hose Barb
- (1) Return Fitting w/ 5/16" Hose Barb
- (1) 5/8" Tank Vent
- (1) Roll Over Valve

### Diesel Generator/Refueling Combo System Includes:

- (1) Fuel Tank – Aluminized Steel, 12 Gauge
- (1) Draw tube w/ 5/16" Hose Barb
- (1) Return Fitting w/ 5/16" Hose Barb
- (1) Draw Tube w/ 1/2" Anti-Siphon Hose Barb
- (1) Roll Over Valve
- (1) 12V Sending Unit
- (1) 5/8" Tank Vent
- (1) Fillneck
- (1) Vented Fuel Cap – Tethered
- (1) Zinc Plated Bezel
- (4 ft.) 1/4" Fuel Hose CARB LEVII / Clamps
- (40 ft.) 5/16" Fuel Hose CARB LEVII / Clamps
- (2 ft.) 5/8" Vent Hose / Clamp
- (2 ft) 2" Fuel Fill Hose / Clamps
- (1) 12V 8 GPM Transfer Pump
- (4 ft.) 1/2" Fuel Hose / Clamps
- (1) 3/4" x 5.67" UL Hose Assembly
- (1) 3/4" Manual UL Nozzle
- (8 ft.) Power Cord
- Tank Mounting Hardware – Grade 8

### Diesel Generator Fuel System Includes:

- (1) Fuel Tank – Aluminized Steel, 12 Gauge
- (1) Draw tube w/ 5/16" Hose Barb
- (1) Return Fitting w/ 5/16" Hose Barb
- (1) Roll Over Valve
- (1) 12V Sending Unit
- (1) 5/8" Tank Vent
- (1) Fillneck
- (1) Vented Fuel Cap – Tethered
- (1) Zinc Plated Bezel
- (40 ft) 5/16" Fuel Hose CARB LEVII / Clamps
- (4 ft.) 1/4" Fuel Hose CARB LEVII / Clamps
- (2 ft) 5/8" Vent Hose / Clamps
- (2 ft) 2" Fuel Fill Hose / Clamps
- Tank Mounting Hardware – Grade 8

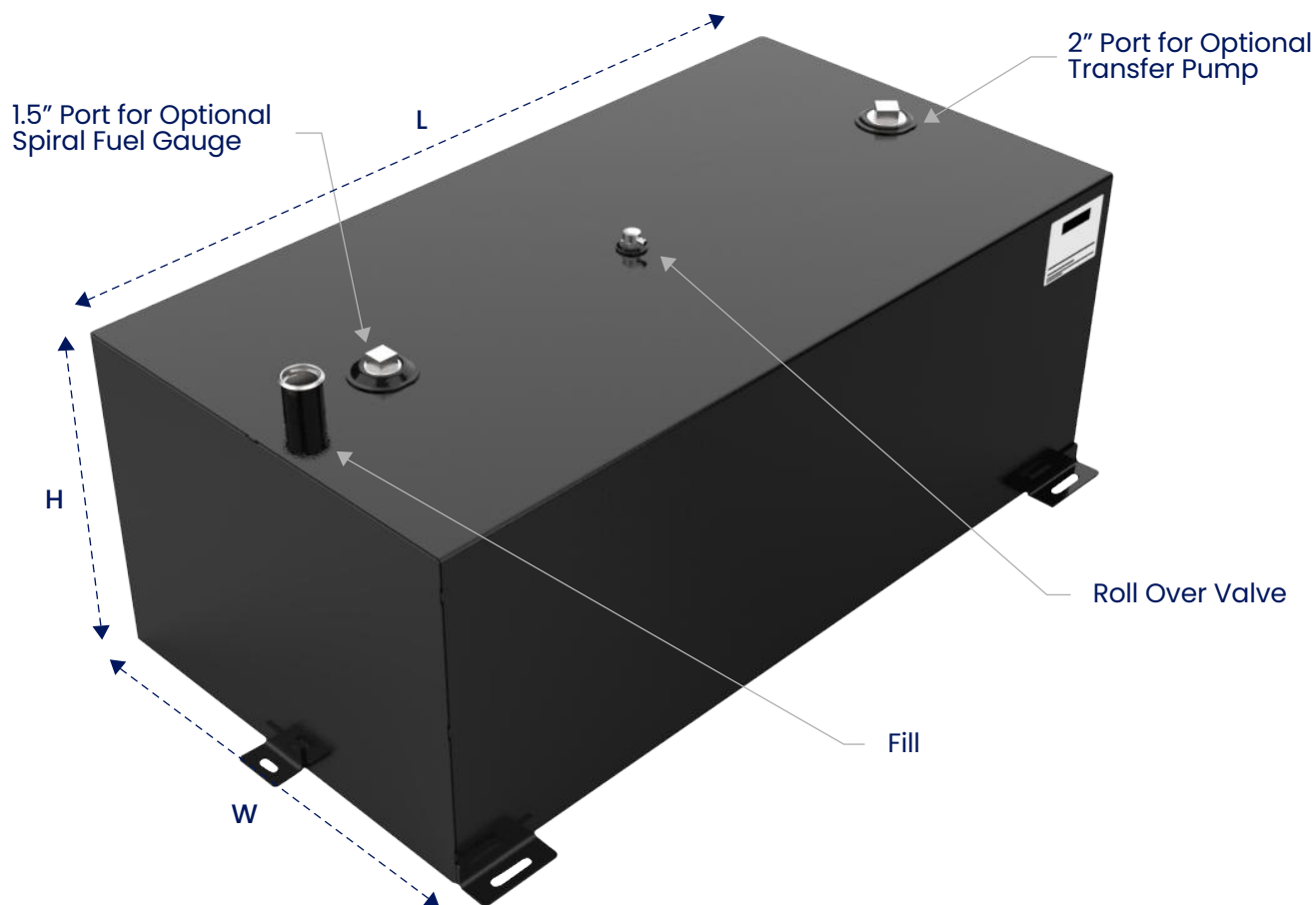
### Diesel Refueling System Includes:

- (1) Fuel Tank – Aluminized Steel, 12 Gauge
- (1) Draw Tube w/ 1/2" Anti-Siphon Hose Barb
- (1) Roll Over Valve
- (1) 12V Sending Unit
- (1) 5/8" Tank Vent
- (1) Fillneck
- (1) Vented Fuel Cap – Tethered
- (1) Zinc Plated Bezel
- (4 ft.) 1/4" Fuel Hose CARB LEVII / Clamp
- (2 ft) 5/8" Vent Hose / Clamps
- (2 ft) 2" Fuel Fill Hose / Clamps
- (1) 12V 8 GPM Transfer Pump
- (4 ft.) 1/2" Fuel Hose / Clamps
- (1) 3/4" x 5.67" UL Hose Assembly
- (1) 3/4" Manual UL Nozzle
- (8 ft.) Power Cord
- Tank Mounting Hardware – Grade 8





# Transfer Tanks - Gas



## US DOT Certified for Gasoline DOT-SP #16292

Note: Add approximately 3" to the height for the universal fill and add 2" to the width and length of the tank for each mounting bracket.

Description	Tank Dimensions (LxWxH)	Each tank can be ordered with or without system components. Reference the system descriptions below and order using the appropriate part number. For custom requirements- please call.		
		Tank Only	Gas Refueling System - 12V 15GPM	Gas Refueling System - Manual
30 Gallon Transfer Tank - Gas	70" x 5.5" x 19"	ST-T3030-G	ST-T3030-G-PK502	ST-T3030-G-PK503
54 Gallon Transfer Tank - Gas	60" x 9" x 24"	ST-T3054-G	ST-T3054-G-PK502	ST-T3054-G-PK503
56 Gallon Transfer Tank - Gas	45" x 14.5" x 20"	ST-T3056-G	ST-T3056-G-PK502	ST-T3056-G-PK503
83 Gallon Transfer Tank - Gas	48" x 20" x 20"	ST-T3083-G	ST-T3083-G-PK502	ST-T3083-G-PK503
109 Gallon Transfer Tank - Gas	51" x 24.75" x 20"	ST-T3109-G	ST-T3109-G-PK502	ST-T3109-G-PK503

See page 16 for included components.

## Transfer Tanks – Gas Included Components:

### Tank Only Includes:

- (1) Fuel Tank – Aluminized Steel, 12 Gauge
- (1) Vented Fuel Cap – Tethered
- (1) Roll Over Valve
- (1) 1.5" NPT Port
- (1) 2" NPT Port

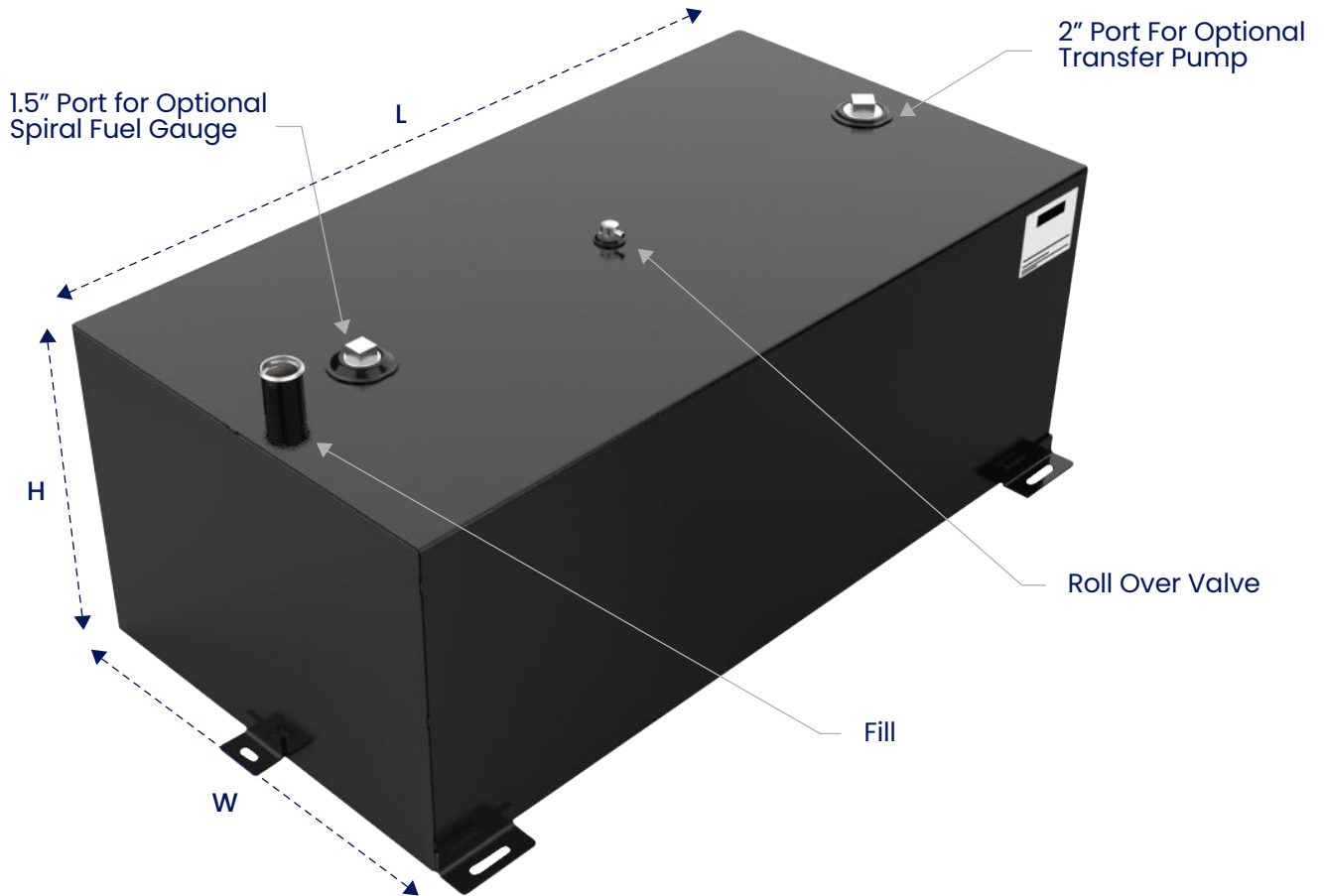
### Gas Refueling System 12V 15GPM Includes:

- (1) Fuel Tank – Aluminized Steel, 12 Gauge
- (1) Vented Fuel Cap – Tethered
- (1) Roll Over Valve
- (1) 1.5" NPT Port
- (1) 2" NPT Port
- (1) GPI M150S-MU 12V Fuel Transfer Pump, 15 GPM,  
Manual Nozzle, 12' Hose

### Gas Refueling System Manual Includes:

- (1) Fuel Tank – Aluminized Steel, 12 Gauge
- (1) Vented Fuel Cap – Tethered
- (1) Roll Over Valve
- (1) 1.5" NPT Port
- (1) 2" NPT Port
- (1) GPI HP-100-UL Fluid Transfer Hand Pump,  
Nozzle, 8' Hose

# Transfer Tanks – Diesel



## US DOT Certified for Diesel DOT-SP- #16292

Note: Add approximately 3" to the height for the universal fill and add 2" to the width and length of the tank for each mounting bracket.

Description	Tank Dimensions (LxWxH)	Each tank can be ordered with or without system components. Reference the system descriptions below and order using the appropriate part number. For custom requirements- please call.		
		Tank Only	Diesel Refueling System - 12V 15GPM	Diesel Refueling System - Manual
30 Gallon Transfer Tank - Diesel	70" x 5.5" x 19"	ST-T3030-D	ST-T3030-D-PK502	ST-T3030-D-PK503
54 Gallon Transfer Tank - Diesel	60" x 9" x 24"	ST-T3054-D	ST-T3054-D-PK502	ST-T3054-D-PK503
56 Gallon Transfer Tank - Diesel	45" x 14.5" x 20"	ST-T3056-D	ST-T3056-D-PK502	ST-T3056-D-PK503
83 Gallon Transfer Tank - Diesel	48" x 20" x 20"	ST-T3083-D	ST-T3083-D-PK502	ST-T3083-D-PK503
109 Gallon Transfer Tank - Diesel	51" x 24.75" x 20"	ST-T3109-D	ST-T3109-D-PK502	ST-T3109-D-PK503

See page 18 for included components.

## Transfer Tanks – Diesel Included Components:

### Tank Only Includes:

- (1) Fuel Tank – Aluminized Steel, 12 Gauge
- (1) Vented Fuel Cap – Tethered
- (1) Roll Over Valve
- (1) 1.5" NPT Port
- (1) 2" NPT Port

### Diesel Refueling System 12V 15GPM Includes:

- (1) Fuel Tank – Aluminized Steel, 12 Gauge
- (1) Vented Fuel Cap – Tethered
- (1) Roll Over Valve
- (1) 1.5" NPT Port
- (1) 2" NPT Port
- (1) GPI M150S-MU 12V Fuel Transfer Pump, 15 GPM,  
Manual Nozzle, 12' Hose

### Diesel Refueling System Manual Includes:

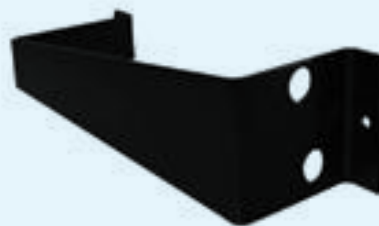
- (1) Fuel Tank – Aluminized Steel, 12 Gauge
- (1) Vented Fuel Cap – Tethered
- (1) Roll Over Valve
- (1) 1.5" NPT Port
- (1) 2" NPT Port
- (1) GPI HP-100-UL Fluid Transfer Hand Pump,  
Nozzle, 8' Hose

# Accessories



## Carbon Canister

**ST98-1**  
3.1 Carbon Canister



## Carbon Canister Bracket

**ST109**  
Carbon Canister Mounting Bracket



## Clamps

**ST44**  
5/8" Hose Clamp W

**ST49**  
2" Hose Clamp W

**ST142**  
1/4" Hose Clamp FIS

**ST142-1**  
5/16" Hose Clamp FIS

**ST142-2**  
1/2" Hose Clamp FIS

# Accessories



## Fill Necks

### ST59-1

Diesel 2" Unleaded Fuel Fill Neck 22 Degree w/ 5/8" Vent - 3" x 4 1/2"

### ST59-2

2" Unleaded Fuel Fill Neck 22 Degree w/ 5/8" Vent - 3" x 4 1/2"

### ST119

2" 90 degree Elbow w/ Beads

### ST408

2" Unleaded Fuel Fill Neck 41 Degree w/ 5/8" Vent 3"x 9 1/2"

### ST422

2" Universal Unleaded Fuel Fill w/ 5/8" Vent

### ST422-1

2" Universal Diesel Fuel Fill w/ 5/8" Vent



## Fuel Bezels

### ST110

Zinc Plated Bezel

### ST120

Stainless Steel Bezel



## Fuel Caps

### ST60

2" Vented Gas Cap - Tethered, Red

### ST148

2" Vented Gas Cap - Tethered, Black

### ST148-1

2" Vented Gas Cap - Tethered, Black, Locking

### ST423

2" Vented Diesel Cap - Tethered, Green

# Accessories



## Fuel Hose

- ST47**  
5/8" Fuel Hose, SAE J30R7
- ST51**  
2" Fuel Fill Hose, Softwall, SAE J1527
- ST65**  
1/4" Fuel Hose CARB LEVII
- ST66**  
5/16" Fuel Hose CARB LEVII
- ST77**  
1/2" Fuel Hose, SAE J30R7



## Fuel Gauges

- ST102**  
13.75" 8680 Spiral Fuel Gauge
- ST103**  
19" 8680 Spiral Fuel Gauge
- ST104**  
18" 8680 Spiral Fuel Gauge
- ST106**  
23" 8680 Spiral Fuel Gauge
- ST107**  
Fuel Gauge, 240-33 Ohms, UPFR-BB
- ST428**  
Fuel Gauge, in Box with Potted 5 Minute Timer, Dual Tanks
- ST429**  
Fuel Gauge, in Box with Potted 5 Minute Timer



## Sending Units

- ST147**  
5" Sending Unit with gasket and hardware, SAE, 240-33 Ohms
- ST150**  
7.5" Sending Unit with gasket and hardware, SAE, 240-33 Ohms
- ST402**  
8" Sending Unit with gasket and hardware, SAE, 240-33 Ohms
- ST414**  
6.5" Sending Unit with gasket and hardware, SAE, 240-33 Ohms

# Accessories



## Tank Fittings

**ST33**

1/4" Hose Barb x 1/2" MPT

**ST34**

5/16" Hose Barb x 1/2" MPT

**ST41**

Rollover Valve 5/16" Hose Barb x 1/2" MPT

**ST42**

Anti-Siphon Valve 1/2" Hose Barb x 1/2" MPT



# Accessories

## Transfer Pumps and Accessories



### ST82

GPI EZ8-RV, 12V Fuel Transfer Pump, 8 GPM

### ST83

GPI EZ8-RVS, 12V Fuel Transfer Pump w/ Switch, 8 GPM

### ST87

EZ8 Mount Bracket



### ST92

3/4" x 5.67' UL 330 Hose Assembly



### ST95

3/4" Manual UL Nozzle

### ST396

GPI EZ8-RV, 12V Fuel Transfer Pump, 8 GPM, Manual Nozzle, 5.5' Hose

### ST501

GPI EZ8-RVS, 12V Fuel Transfer Pump, 8 GPM, Manual Nozzle, 5.5' Hose

### ST502

GPI M150S-MU, 12V Fuel Transfer Pump, 15 GPM Manual Nozzle, 12' Hose



### ST503

GPI HP-100-UL Fluid Transfer Hand Pump, Nozzle, 8' Hose